

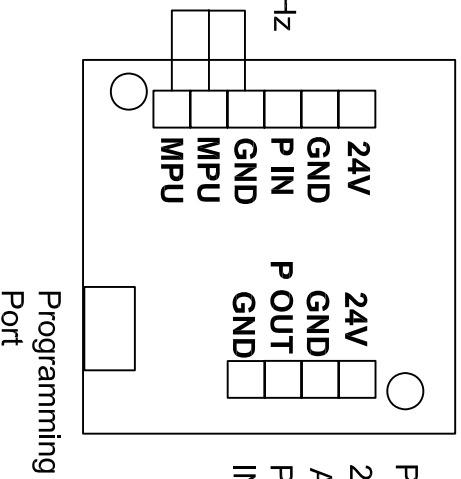
Turbine meter interface module P/N: FD-TMI-325 Programmable Frequency Divider with Signal Preamplifier for use with 2 or 3 pin Variable Reluctance Sensors

24V can be a DC supply 7 to 30VDC

P IN can be 2-30Vp Square wave 0-100KHz

Remove MPU, MPU, GND jumper when using with 2 pin magnetic pick-up

P IN or MPU Pulse indicating LED



P OUT Pulse indicating LED

24V is in common with other 24V

All GND terms are in common with ground

P OUT = 5Vp Square wave with a frequency = P IN divided by 325

Connect 2 pin Magnetic Pick-Up between MPU and MPU terminals. **Note remove jumpers.**

Connect 3 pin Magnetic Pick-Up between 24V, GND, and P IN terminals. **Note install jumpers between MPU, MPU, and GND.**

Connect P OUT and GND to reading device.

Connect 24V and GND to DC power source between 7 and 30VDC.

REV	DATE	BY	CHKD	DESCRIPTION

Pulse Divider

REVISED BY	DAVID BRENNAN
REVISED DATE	10/28/08
REVISED BY	DAVID BRENNAN
REVISED DATE	3/27/10
REVISED BY	
REVISED DATE	
REVISED BY	
REVISED DATE	

1 OF 1

